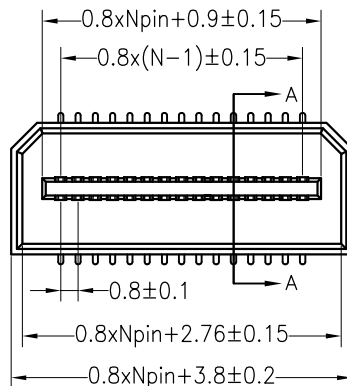


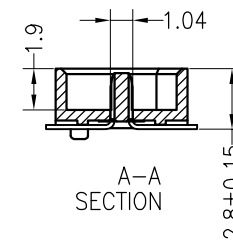
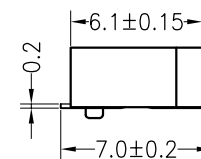
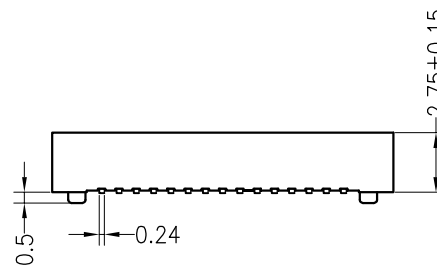
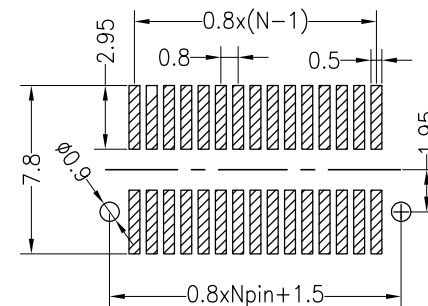
**HSF RoHS**

**SPECIFICATIONS  
PERFORMANCE**

Electical Rating:AC/DC 50V 0.5A  
 Insulation Resistance: 500MΩ Min  
 Contact Resistance:30mΩ Max  
 Withstang Volt:150V AC/minute  
 Opratng Temperature:-40°C to +105°C  
 Material  
 Contact:Phosphor Bronze Gold-Plated  
 Housing: PA9T UL94V-0  
 Max.Processing Temp: 230°C for30-60 seconds  
 (260°C for 10 seconds)



**Recommended P.C.B Layout(Top Side)  
(PCB BOARD TOLERANCE±0.05)**



**Ordering Information**

**3710 M XXX 028 XX X X 01**

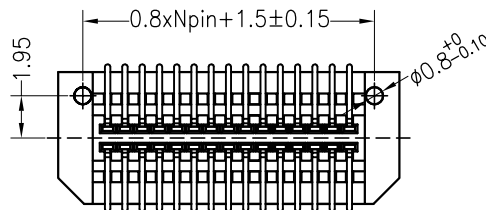
No.of Pins  
30P~100P

Plastics Height  
H=2.8mm

Contact Plating  
 G0:Gold Flash  
 G1:3U" Gold  
 G2:5U" Gold  
 G3:10U" Gold  
 G4:15U" Gold  
 G5:30U" Gold  
 S0:Gold Flash/Tin  
 SN:Tin

Insulator Material Option  
 C=PA6T  
 D=PA46  
 E=PA9T  
 F=LCP

Packing  
 T=Tube  
 R=Reel  
 P=Tube+Cap



OPERATION		DRAW	yiyusheng	20.03.26
X.X	±0.30			
X.XX	±0.20	CHECK		
X.XXX	±0.10			
Angle	±3°	APPROVE		
DIM	TOL			

SCALE	FIT
UNIT	mm
SIZE	A4
SHEET	1/1
PROJ.	

**JILN** 深圳市锦凌电子有限公司  
 SHENZHEN JINLING ELECTRONIC CO.,LTD  
 Tel: 86-755-2997-5806/5802 Fax: 86-755-2997-5992

A0	2020.03.26	NEW DRAWING	
REV	DATE	MODIFICATION DESCRIPTION	CHANGE

PART NO.	3710MXXX028XXX01
TITLE:	0.8BTB-NPIN H=2.8 Male