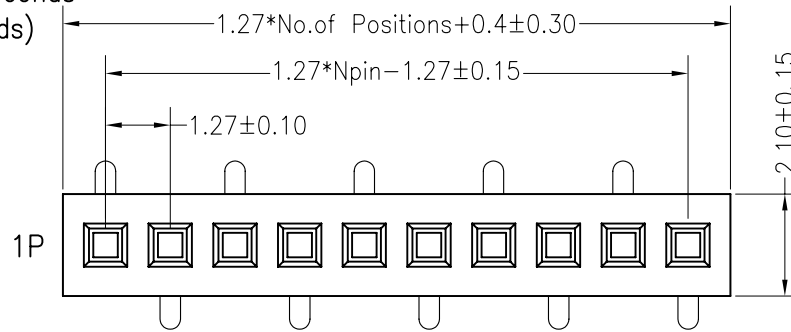
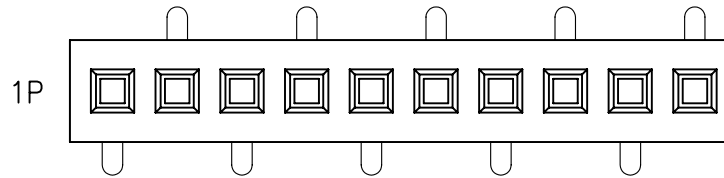




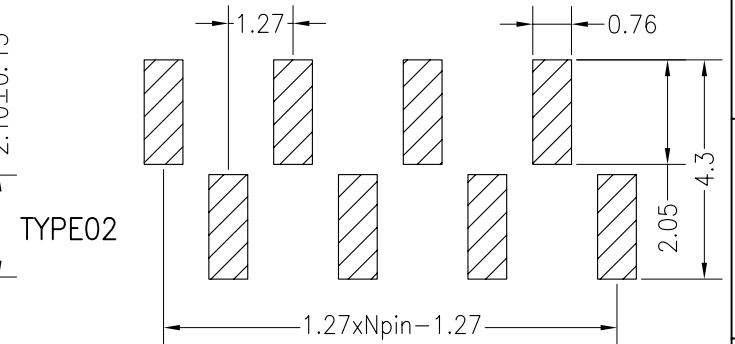
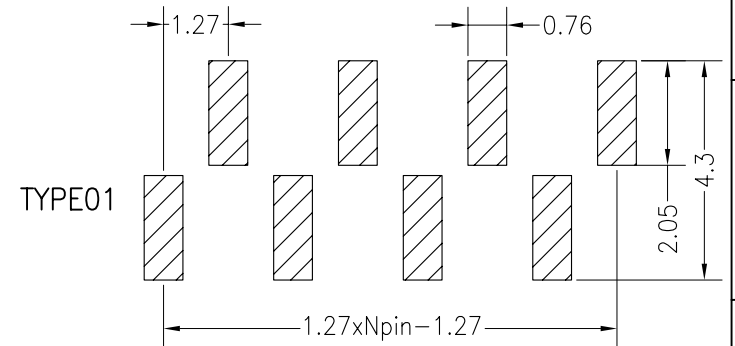
**SPECIFICATIONS**

Rated Current:1.0AMP  
 Contact Resistance:20mΩ Max  
 Withstand Voltage:500V AC/DC  
 Insulation Resistance:1000MΩ Min  
 Operation Temperature:-40°C to +105°C

Contact Material:Phosphor Bronze  
 Contact Plating:Au or Sn Over Ni  
 Insulator Material:Polyester(UL94V-0)  
 Standard: PA6T  
 Max.Processing Temp: 230°C for 30-60 seconds  
 (260°C for 10 seconds)



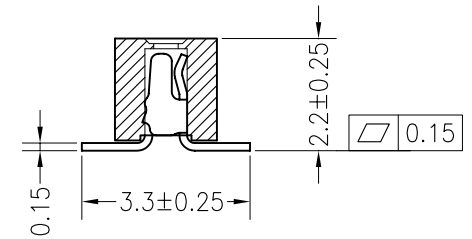
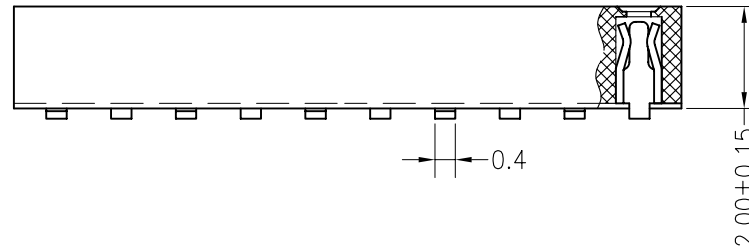
**Recommended P.C.B Layout(Top Side)**  
 (PCB BOARD TOLERANCE±0.05)



**Ordering Information**

2420 01 XX X N XX M U X 0X(1,2)

- No. of Pins Per Row 1\*50
- Insulator Material Option: A=BK-PBT, B=BK-PA66, C=BK-PA6T, D=BK-PA46, F=BK-LCP
- Contact Plating: G0:Gold Flash, G2:5U" Gold, G3:10U" Gold, G4:15U" Gold, G5:30U" Gold, S0:Gold Flash/Tin, SN:Tin
- Packing: T=Tube, P=Tube+Cap, R=Reel+Cap, M=Reel+Mylar



				OPERATION		DRAW	BEN	15.01.27	SCALE	FIT	<b>JiLN</b> ® 深圳市锦凌电子有限公司 SHENZHEN JINLING ELECTRONIC CO.,LTD Tel: 86-755-2997-5806/5802 Fax: 86-755-2997-5992	
				X.X	±0.30	CHECK			UNIT	mm	PART NO. 242001XXXNXXMUX0X(1,2)	
				X.XX	±0.20				SIZE	A4	TITLE: 1.27PF H2.00mm 1xNpin SMT	
				X.XXX	±0.10				SHEET	1/1		
A0	2015.01.27	NEW DRAWING		Angle	±3°	APPROVE			PROJ.	◆		
REV	DATE	MODIFICATION DESCRIPTION		DIM	TOL							