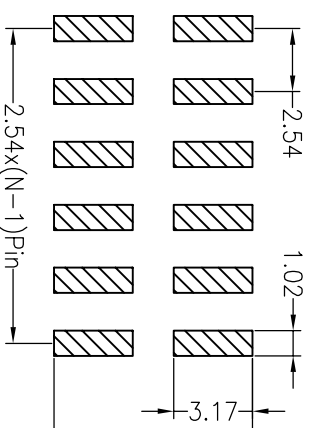
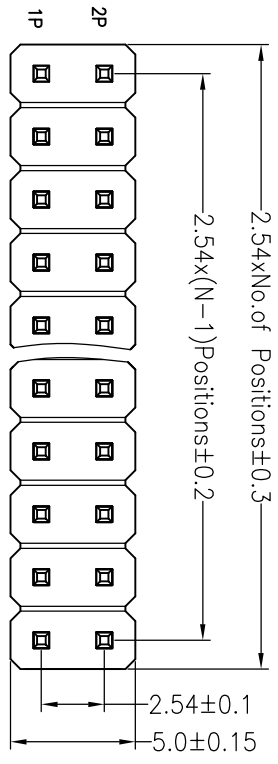


SPECIFICATIONS

Rated Current:3.0AMP
 Contact Resistance:20mΩ Max
 Withstand Voltage:1000V AC/DC
 Insulation Resistance:1000MΩ Min
 Operation Temperature:-40°c to +105°c

Contact Material:Brass
 Contact Plating:Au Over Ni
 Insulator Material:Polyester(Ul94V-0)

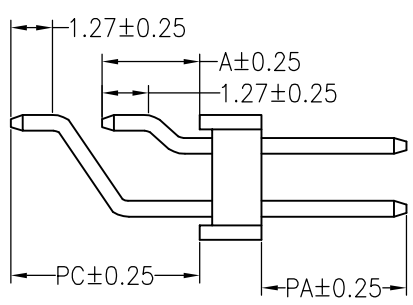
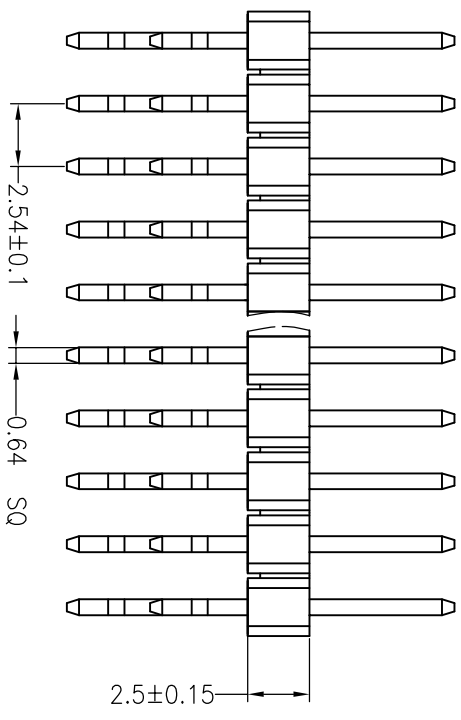
Standard: PA6T
 Max.Processing Temp: 230°C for 30-60 seconds
 (260°C for 10 seconds)



Ordering Information

1225-12 XX X N XX Z XXX X 01

- No. of Pins Per Row: 1x40, 2x40, 3x40, 1--40, 2--80, 3--120
- Insulator Material Option: A=BK-PBT, C=BK-PA6T, D=BK-PA66, E=BK-PA9T, F=BK-LCP
- Contact Plating: G0:Gold Flash, G1:1U" Gold, G2:1.5U" Gold, G3:2U" Gold, G4:3U" Gold, G5:5U" Gold, G6:10U" Gold, G7:15U" Gold, S0:Gold Flash/Fim, SN:Tin
- Pin Length
- Packing: O=PE Bag, A=Troy, T=Tube, P=Tube+Cap, R=Reel+Cap, M=Reel+Mylar



ITEM	PA	A	PC	L短	L长
Standard	6.00	3.94	8.50	12.50	18.50

JIN 深圳市锦凌电子有限公司
 SHENZHEN JINLING ELECTRONIC CO.,LTD
 Tel: 86-755-2997-5806/5802 Fax: 86-755-2997-5892

REV	DATE	MODIFICATION DESCRIPTION	CHANGE	OPERATION	DRAW	YTYuSheng	19.09.21	SCALE	FIT	PART NO.	TITLE:
A0	2019.09.21	NEW DRAWING		X.XX ±0.30 X.XX ±0.20 X.XXX ±0.10	CHECK			UNIT mm SIZE A4	1/1	1225-12XXXXXXZXXXX01	
1				Angle ±3° DIM TOL	APPROVE			PROJ.			2.54PH H2.5mm Dual Row 贴片