

SPECIFICATIONS

Rated (额定参数): 300V, 15A
 Dielectric strength (抗电强度): AC1500V/1 Minute
 Insulation Resistance (绝缘电阻): 1000MΩ Min
 Contact Resistance (接触电阻): 20mΩ Max
 Screw Torque (扭矩): 0.40Nm (3.5Lb.in)
 Wire Range (线径): 12~24AWG
 Strip length (剥线长度): 4.5~5mm
 Temp. range (操作温度): -40°C~+105°C
 MAX Soldering (瞬时温度): +250°C, 5s

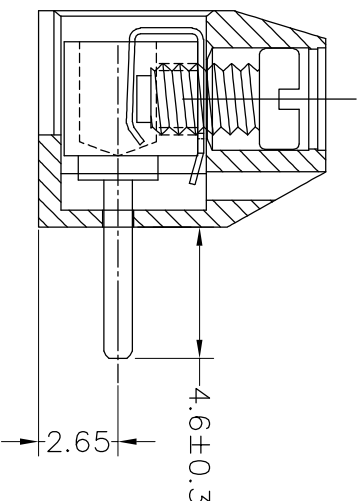
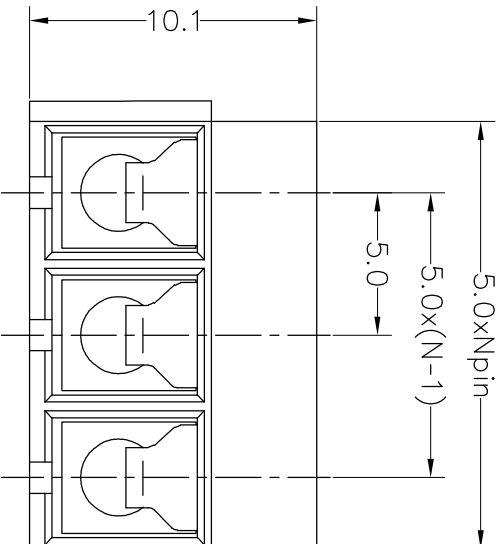
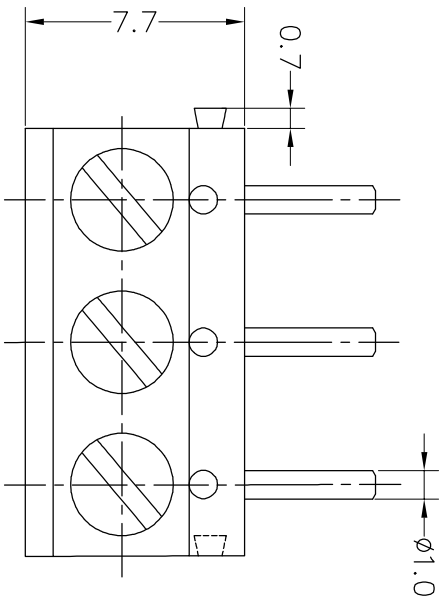
Housing Material (塑件): PA66 (UL94 V-0)
 Contact (端子): Brass, Tin plating (黄铜镀锡)
 Wire protector (弹片): Bronze (磷铜), Ni plating (镀镍)
 Screw (螺丝): M2.5, Steel, Zinc plating (钢, 镀锌)

PITCH RANGE	NOMINAL DIMENSION RANGE					
	IN MM		IN MM		IN MM	
OVER 6 TO 10	OVER 10 TO 24	OVER 30 TO 60	OVER 60 TO 100	OVER 100 TO 150	OVER 150 TO 150	
±0.10	±0.15	±0.25	±0.30	±0.30	±0.50	±0.70 ±1.00

Ordering Information

JL 301R - 500 XX X X 1

Pitch 500=5.0PH
 No. of pins 2P, 3P, 4P~24P
 Housing Color B=Black, G=Green, U=Blue, R=Red, W=White, Y=Yellow, O=Orange, E=Grey
 Packing O=Pe, bog, T=Tube, A=Tray



REV	DATE	MODIFICATION DESCRIPTION	CHANGE	APPROVE	BEN	17.09.12	SCALE	FIT	PART NO.	TITLE:
A0	2017.09.12	NEW DRAWING		CHECK			A4	1/1	JL301R-500XXXXX1	5.0mm Terminal Blocks Female 90°
1										

JIN 深圳市锦凌电子有限公司
 SHENZHEN JINLING ELECTRONIC CO.,LTD
 Tel: 86-755-2997-5806/5802 Fax: 86-755-2997-5992