

SPECIFICATIONS

Rated(额定参数): 300V, 12A
 Dielectric strength(抗电强度): AC1500V/1 Minute
 Insulation Resistance(绝缘电阻): 5000MΩ Min
 Contact Resistance(接触电阻): 20mΩ Max
 Screw Torque(扭矩): 0.4Nm (3.5Lb.in)
 Wire Range(线径): 12~24AWG
 Strip length(剥线长度): 4.5~5mm
 Temp. range(操作温度): -40℃~+105℃
 MAX Soldering(瞬时温度): +260℃, 5s

Housing Material(塑件): PBT (UL94 V-0)
 Contact(端子): Brass, Tin plating(黄铜镀锡)
 Wire protector(弹片): Bronze(磷铜), Ni plating(镍)
 Screw(螺丝): M2.5, Steel, Zinc plating(钢,镀锌)

PITCH RANGE IN MM	NOMINAL DIMENSION RANGE IN MM				
	OVER 6	OVER 10	OVER 30	OVER 60	OVER 100
TO 6	TO 10	TO 30	TO 60	TO 100	TO 150
±0.10	±0.15	±0.25	±0.30	±0.50	±0.70
					±1.00

Ordering Information

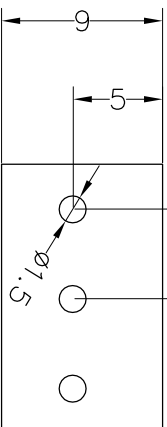
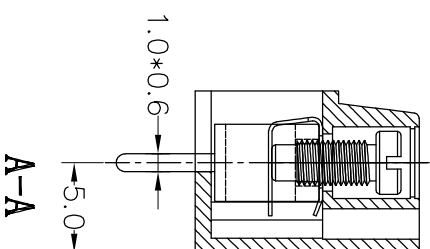
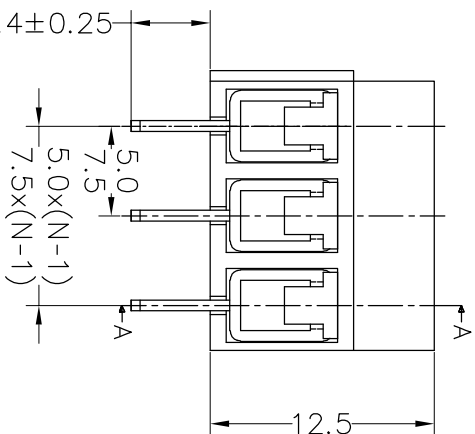
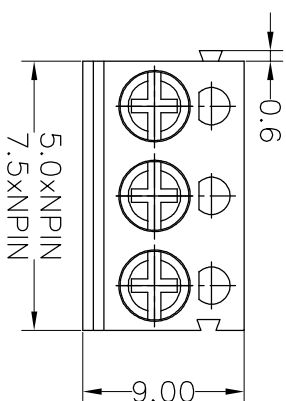
JL 305 - XXX XX X X 1

Pitch
500=5.0PH
750=7.5PH

No. of pins
2P, 3P, 4P~24P

Housing Color
B=Black
G=Green
U=Blue
R=Red
W=White
Y=Yellow
E=Grey

Packing
0=Pe-bag
T=Tube
A=Tray



Recommended P.C.B Layout(Top Side)

OPERATION	DRAW	BEN	SCALE	FIT	PART NO.
XX ±0.30		17.03.14	UNIT mm	A4	JL305-XXXXXXXX1
X.XX ±0.20	CHECK		SIZE A4	1/1	
X.XXX ±0.10			SHEET 1/1		
Angle ±3°	APPROVE		PROU.		
DIM TOL					

JIN 深圳市锦凌电子有限公司
 SHENZHEN JINLING ELECTRONIC CO.,LTD
 Tel: 86-755-2997-5806/5802 Fax: 86-755-2997-5992

REV	DATE	MODIFICATION DESCRIPTION	CHANGE
A0	2017.03.14	NEW DRAWING	
1			

5.00/7.50mm Terminal Blocks Female
 180°