

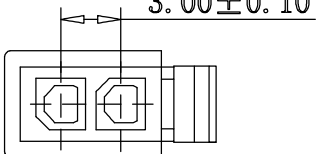
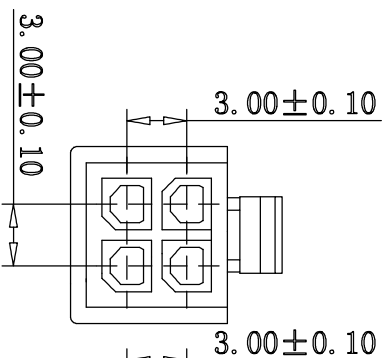
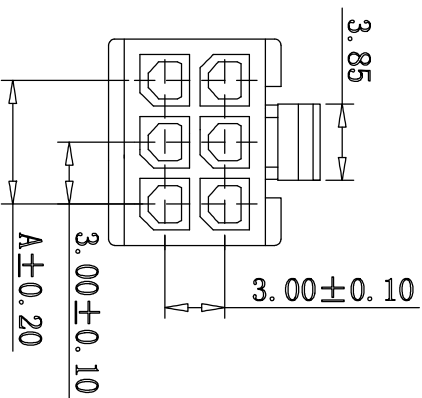
# HSE ROHS

## SPECIFICATIONS

- Voltage rating: 250V AC, DC
- Current rating: 5A, AC, DC
- Withstanding Voltage: 1500V AC/minute
- Insulation resistance: 1000MΩ min
- Temperature range: -25° C~+105° C
- Contact resistance: 10mΩ max

## HOUSING

- Poles: 02-24
- Material: Nylon 66 UL 94V-0

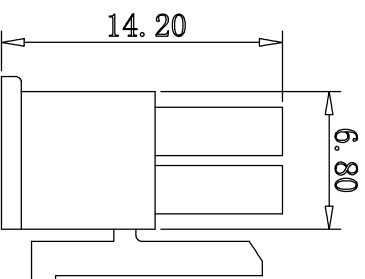
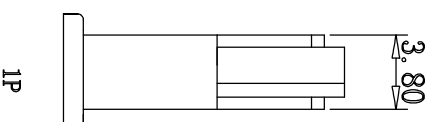
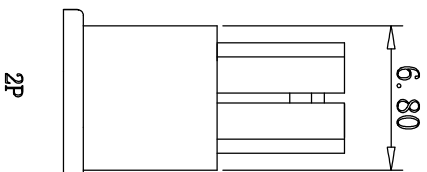
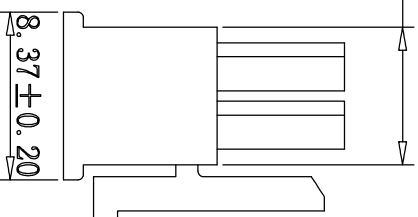
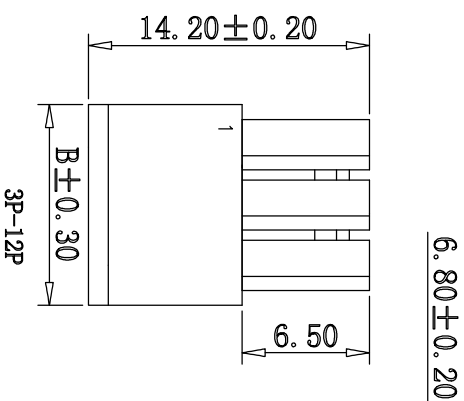


Pin No.	Dimensions (mm)	
	A	B
2*01	---	3.80
2*02	3.00	6.80
2*03	6.00	9.80
2*04	9.00	12.80
2*05	12.00	15.80
2*06	15.00	18.80
2*07	18.00	21.80
2*08	21.00	24.80
2*09	24.00	27.80
2*10	27.00	30.80
2*11	30.00	33.80
2*12	33.00	36.80

## Ordering Information

JL3001H - 2 XX B 01

H=Housing  
No. of Pins  
2\*2-12P  
Insulator Color  
B=Black



**JIN** 深圳市锦凌电子有限公司  
SHENZHEN JINLING ELECTRONIC CO.,LTD  
Tel: 86-755-2997-5806/5802 Fax: 86-755-2997-5992

OPERATION	DRAW	ChenWei	19.01.18	SCALE	FIT
				UNIT	mm
X.X	±0.30			A4	1/1
X.XX	±0.20	CHECK			
X.XXX	±0.10				
Angle	±3°	APPROVE			
DIM	TOL			PROU.	

MODIFICATION DESCRIPTION	CHANGE	DATE	REV	PART NO.	TITLE:
NEW DRAWING		2019.01.18	A0	JL3001H-2XXB01	3.00mm Housing Npin